

### 'PREMIER' Plate / Gastro Pan / Cutlery Cart

**FINISH**

- Stainless steel one piece back and base
- Stainless 25x25mm box section formed frame
- Stainless 8mm wire dividers

**MODEL CODE**

Small Unit without cutlery unit = PPT-S  
 Large Unit without cutlery unit = PPT-L  
 Small Unit with cutlery unit = PPT-S-ACS-CDU  
 Large Unit with cutlery unit = PPT-L-ACS-CDU

**DIMENSIONS**

Small Unit = 1068x568x810mm high  
 Large Unit = 1068x738x810mm high  
 Small Unit with cutlery unit = 1068x568x1075mm high  
 Large Unit with cutlery unit = 1068x738x1100mm high

**LOADING** 200 kg max

**FEATURES**

- Heavy duty solid base + back
- Dividers adjustable @ 85mm increments
- 125mm castors, non-marking (2x braked)
- Bumpers fitted as standard

**USAGE**

- Storage of plate + gastronorm pans
- Clearing of canteen / Dining areas
- Ideal within potwash areas

**LOAD CAPACITY**

400 plates @ 20cm diameter  
 250 plates @ 26cm diameter  
 54 1/1 pans @ 100mm deep

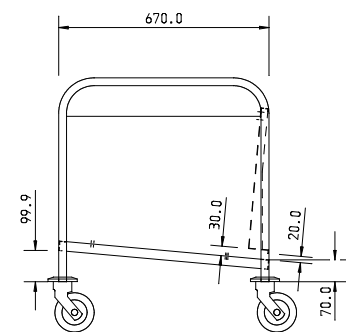
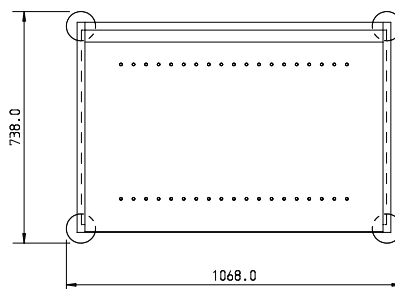
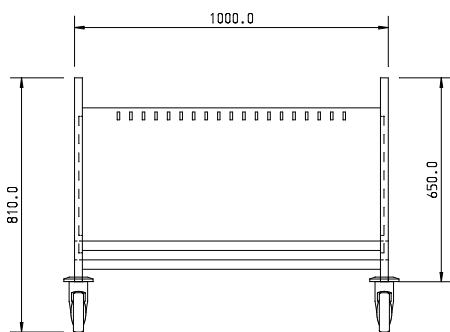
**OPTIONS**

- Back-to-back model available
- Wire dividers
- c/w plastic cutlery tray + 3x 1/3 st/st pans
- Food quality clear cover

**NET WEIGHT** 21 kgs



shows unit with optional cutlery dispense frame



\*shows typical Large Unit without cutlery unit